



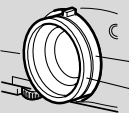
3LCD DATA PROJECTOR

QUICK REFERENCE CARD

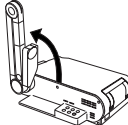
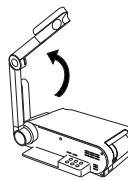
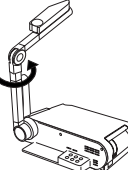
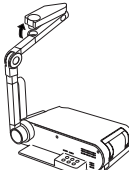
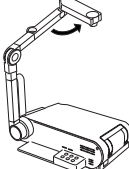
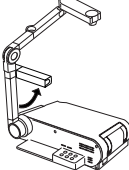
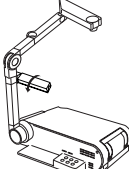
"Camera" function is equipped only with the model which has a document imaging camera model.

Projecting a Picture



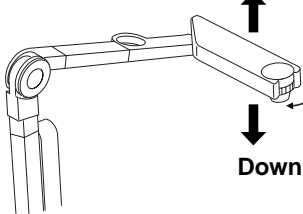
- Connect external equipment such as a computer or video tape player.
 - Connect the power cord to the projector.
-  **Press ON/STANDBY.**
Both the ON and LAMP indications light up in green.
- Turn on the connected equipment and put it in playback mode.

-  **Press INPUT to select the input source.**
Video: VIDEO input picture
RGB: RGB input picture
CAMERA: Camera input picture
-  **Adjust the picture size and focus.**
Zoom ring: Adjust the picture size.
Focus ring: Focus the picture.


Projecting Images with the Document Imaging Camera


- 1) Raise up the arm.

 - 2) Stretch the arm.

 - 3) Turn the arm.

 - 4) Open the camera head.

 - 5) Turn the camera head.

 - 6) Pull up the light.

 - 7) Turn the light.


After using, return the arm to the original position in the reverse order.

-  **Press ARM LIGHT.**
The light turns on.
- Place a document onto or around the projector, and turn the camera head to direction of the document.
-  **Press CAMERA.**
The appeared image is a projected one through the camera.
- Move the camera head to adjust the size of the picture, and focus on the picture by turning the focusing ring on the camera head.**

Up : to reduce.
Down : To enlarge.
Focusing ring
N : Near
F : Far

Turning Off the Power After Use

- Put the connected equipment in the stop mode.
-  **Press ON/STANDBY.**
An instruction message appears.

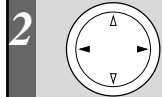
-  **Press ON/STANDBY again.**
(Power turns off and then the lamp goes off.)
- After confirming the exhaust fan stops, unplug the power cord.

Adjustment and Function Setting



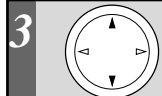
1 Press MENU.

The menu is displayed.



2 Press ◀ or ▶ to select the item.

<p>Keystone</p> <ul style="list-style-type: none"> Auto set Adjust 	<p>Image</p> <ul style="list-style-type: none"> Auto sync. Phase H-position V-position Clock 	<p>Picture</p> <ul style="list-style-type: none"> Contrast Brightness Color Tint Sharpness R-level G-level B-level Camera gain 	<p>Audio</p> <ul style="list-style-type: none"> Volume Bass Treble 	<p>Default</p> <ul style="list-style-type: none"> Language English Proj.mode Standard RGB input RGB Video signal Auto Scrn display On 	<p>Save</p> <ul style="list-style-type: none"> Save data All preset
---	---	---	---	---	--

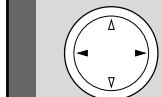


3 Press ▲ or ▼ to select the item.

Auto set ... To correct the keystone distortion automatically	Adjust To make the correction of keystone distortion	Auto sync. To adjust the image automatically	Phase To reduce flickers	H-Position To shift the image horizontally	V-Position To shift the image vertically	Clock To remove vertical stripes	Contrast Contrast	Brightness Brightness	Color Color density	Tint Tint	Sharpness Sharpness	R-level Red level	G-level Green level	B-level Blue level	Camera gain Sensitivity	Volume .. To adjust the sound volume	Bass To adjust the bass	Treble ... To adjust the treble	Language To select the language	Proj. mode To set the projecting orientation	RGB input To set the signal type	Video signal To set the signal type	Scrn display ... To use of disable on-screen displays	Save data ... To save the adjustments and settings on the menu.	All preset To restore the adjustments and settings on the menu to the factory set.
---	--	---	--------------------------------	---	--	--	-------------------------	-----------------------------	---------------------------	-----------------	---------------------------	-------------------------	---------------------------	--------------------------	-------------------------------	--------------------------------------	-------------------------------	---------------------------------	---------------------------------------	--	--	---	---	---	---



4 (Item marked with). Press ENTER to execute the item.



(Item not marked with). Press ◀ or ▶ to adjust the value or select the setting.



5 Press MENU.

The menu disappears.

Note: Pressing RESET of the remote control will return all the adjustments or settings currently displayed to their default.